

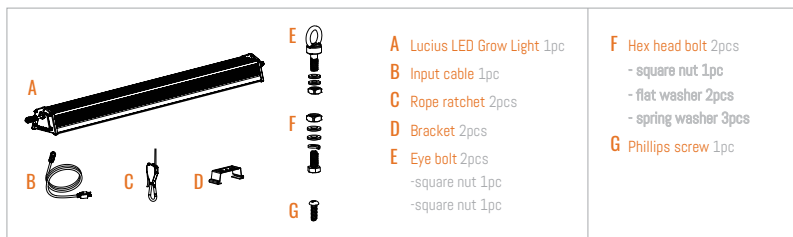
# LUCIUS LED GROW LIGHT USER GUIDE

CONGRATULATIONS ON YOUR NEW LUCIUS LED GROW LIGHT.

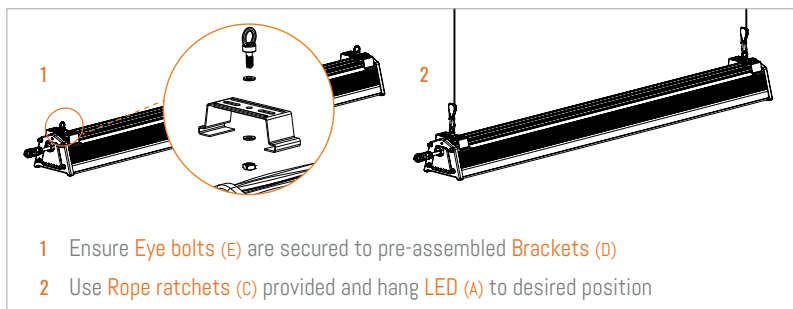
This guide contains all the necessary information to install your Lucius LED Grow Light, please ensure you have read the complete guide before use. Lucius LED Grow Light comes preassembled, tested and assessed by strict quality control processes.

For full specifications and more information about your  
Lucius LED Grow Light visit  
[www.lucius.com.au](http://www.lucius.com.au)

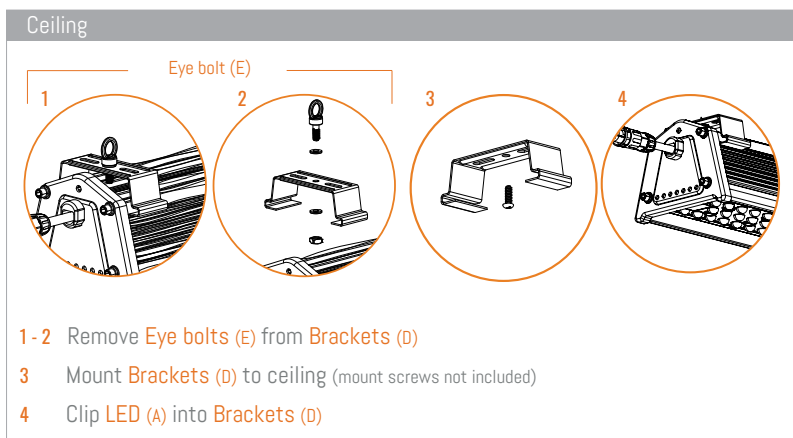
## → Components



## → Hanging

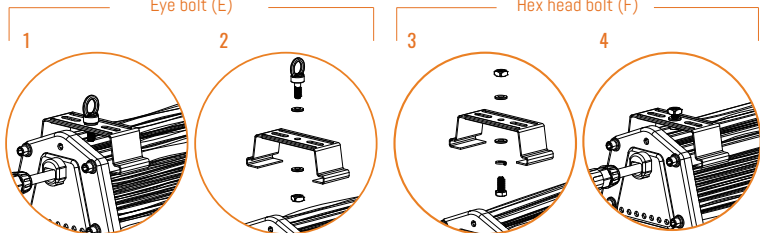


## → Installation

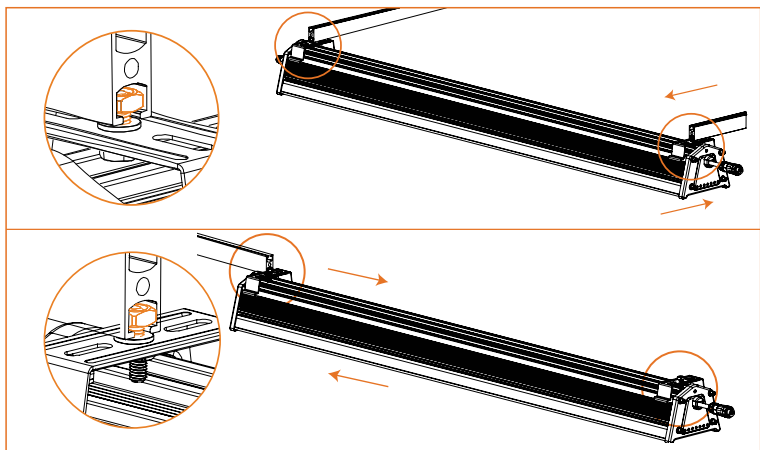


Eye bolt (E)

Hex head bolt (F)



5



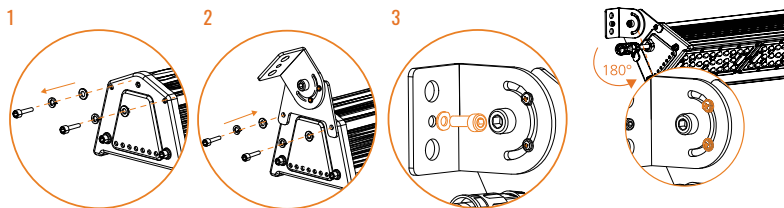
1 - 4 Remove Eye bolts (E) and replace them with Hex head bolts (F)

5 Slide Brackets (D) into strut

Note: Do not remove brackets when changing bolts.

For full specifications and more information about your  
Lucius LED Grow Light visit  
[www.lucius.com.au](http://www.lucius.com.au)

## Rotation bracket (sold separately)

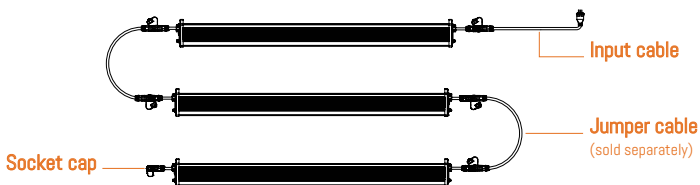


- 1 Remove top two bolts from the LED (A) end-cover
- 2 Line up the rotation bracket with the LED (A) and secure bolts
- 3 Secure rotation bracket to wall/ceiling using mounting bolts

Note: The LED angle can be adjusted with the rotation lock, simply loosen screws, adjust angle and secure when desired position is achieved.

## → Start up

- Ensure main power is off while connecting Input cable (B)
- When using multiple LEDs (A), use jumper cable for connection
- Cover the last LED (B) output socket with cap if unused



## → Caution

It is recommended to keep Lucius LED's at least 75cm/2'6" away from young plants as they are sensitive to intense light.

## → Warranty

Contact your retailer for warranty claims and support.



SAFETY FEATURERS



LOW HEAT



DAISY CHAIN OPTION



ENERGY EFFICIENT



PLUG AND PLAY



IP66 WATER RESISTANT

### AVAILABLE MODELS

**FULL CYCLE** - Designed for plants from start to finish

**SUPERIOR FLOWER** - Designed for Ultimate flowering