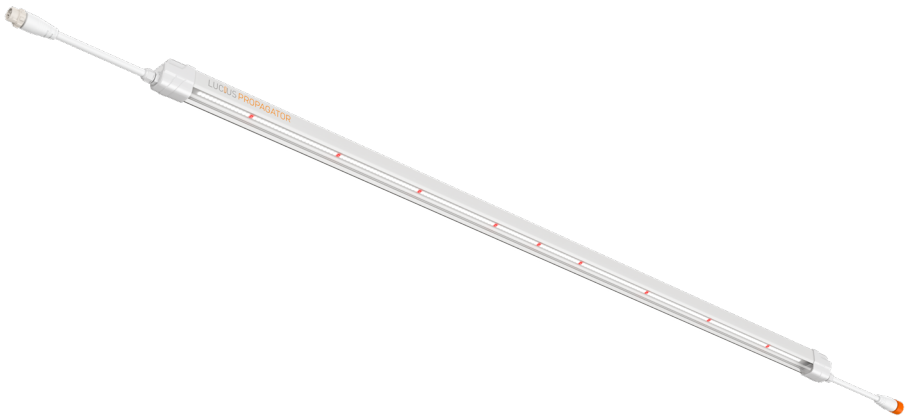


LUCIUS

PROPAGATOR
LED 20W 1200MM

USER MANUAL



LUCIUS

PROPAGATOR

LED 20W 1200MM

USER MANUAL

INTRODUCTION

Congratulations for purchasing your LUCIUS PROPAGATOR LED 20W 1200MM. Please read and understand this manual in its entirety before using the fixture. Have a certified personnel to install this fixture. Only use this product as specified within the manual.

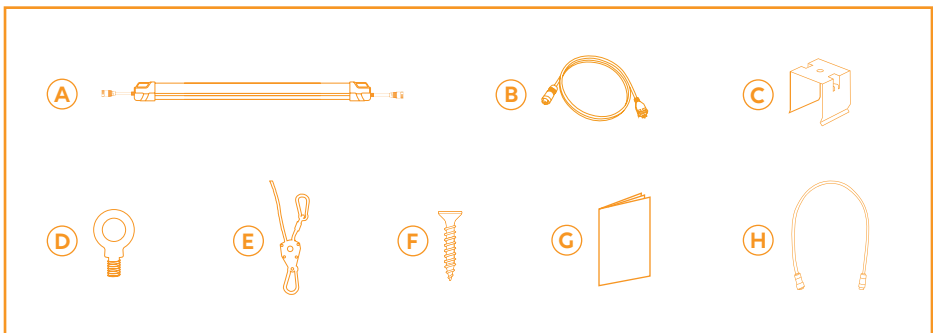
1. PRODUCT DESCRIPTION

The LUCIUS PROPAGATOR LED 20W 1200MM is a versatile and efficient lighting solution for early-stage plants.


With a simple plug-and-play design, it's easy to set up and start using right away. 20 watts of power and a full spectrum range ensures healthy plant growth and development.

2. CONTENTS

- A** Propagator (x2)
- B** Input Supply Cable 1.5m
- C** Mounting Clip (x4)
- D** M4 Eyebolt (x4)
- E** Rope Ratchet (x4)
- F** Screw (x4)
- G** Manual
- H** Power Jumper Cable
(Sold Separately)



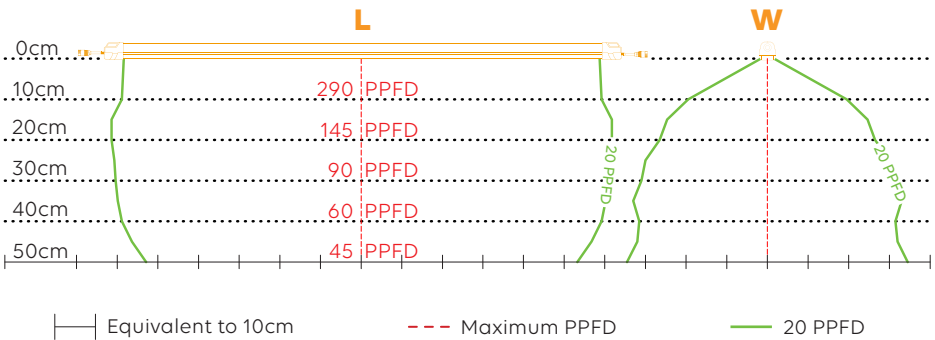
3. TECHNICAL SPECIFICATIONS *Test data has a tolerance of ±3%.*

LUCIUS PROPAGATOR LED 20W 1200MM						
Product Code	M5000					
Power	20W					
Voltage Range/ Frequency	100-277V ~ 50/60Hz					
Voltage	120V	208V	220V	230V	240V	277V
Current	0.17A	0.10A	0.09A	0.09A	0.09A	0.08A
Maximum Power Daisy Chain	24 LEDs	42 LEDs	44 LEDs	46 LEDs	48 LEDs	52 LEDs
PPF Efficacy	2.6µmol/J					
Max PPF	52µmol/s					
CCT	5700K					
CRI	88%					
PF	>0.95					
THD	<10%					
Beam Angle	120°					
Thermal Management	Passive					
BTU/h	68					
Protection	Output Open Circuit and Output Short Circuit Protection					
Size	1170x32x36mm 46.1x1.3x1.4"					
Weight	0.5±0.1kg 1.1±0.22lbs					
Working Temperature	0°C to 40°C /32°F to +104°F (95% RH)					
Storage Temperature	-40°C to 70°C /-40°F to +158°F (85% RH)					
IP rating	IP65					
Warranty	3 Years					
Certificates						

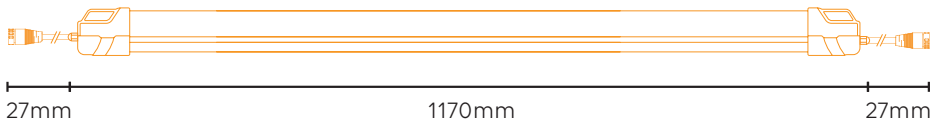
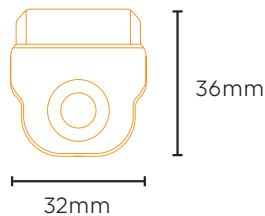
¹ HANGING HEIGHT (cm)	MAX PPFD $\mu\text{mol/s/m}^2$	PROPAGATION SIZE (LxW)	² PROPAGATION AREA (m ²)
10	290	1.20 x 0.40	0.48
15	195	1.25 x 0.52	0.65
20	145	1.25 x 0.55	0.69
25	110	1.23 x 0.62	0.76
30	90	1.23 x 0.64	0.79
35	75	1.22 x 0.68	0.83
40	60	1.20 x 0.65	0.78
45	50	1.15 x 0.66	0.76
50	45	1.08 x 0.71	0.77

¹ **Hanging Height** refers to the distance between the plant canopy and the LED.

² **Coverage Area** refers to the region that the plants receive at minimum 20PPFD.

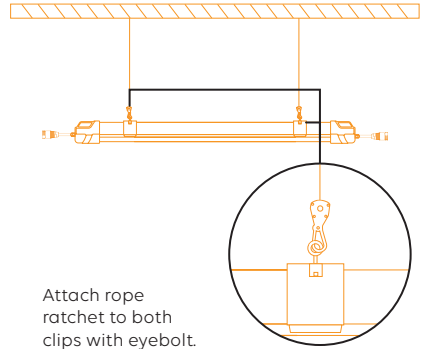
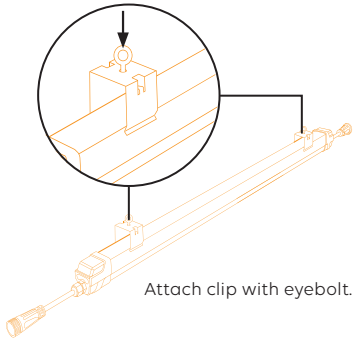


4. DIMENSIONS

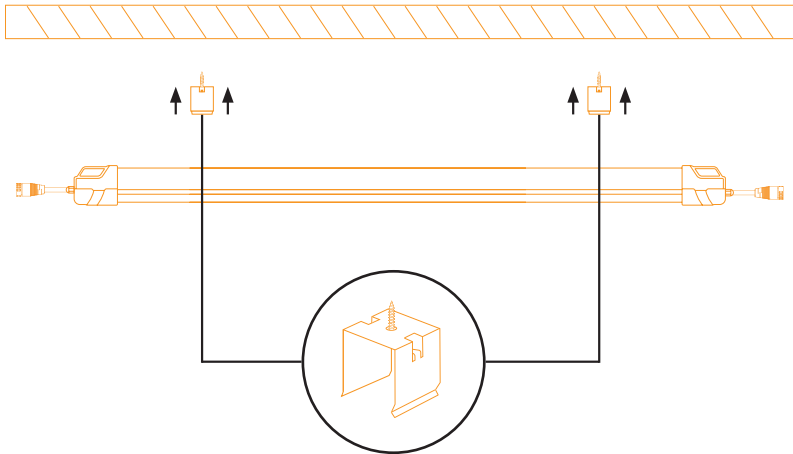


5. INSTALLATION

HANGING



SURFACE MOUNT



6. CONNECTING MULTIPLE LED FIXTURES

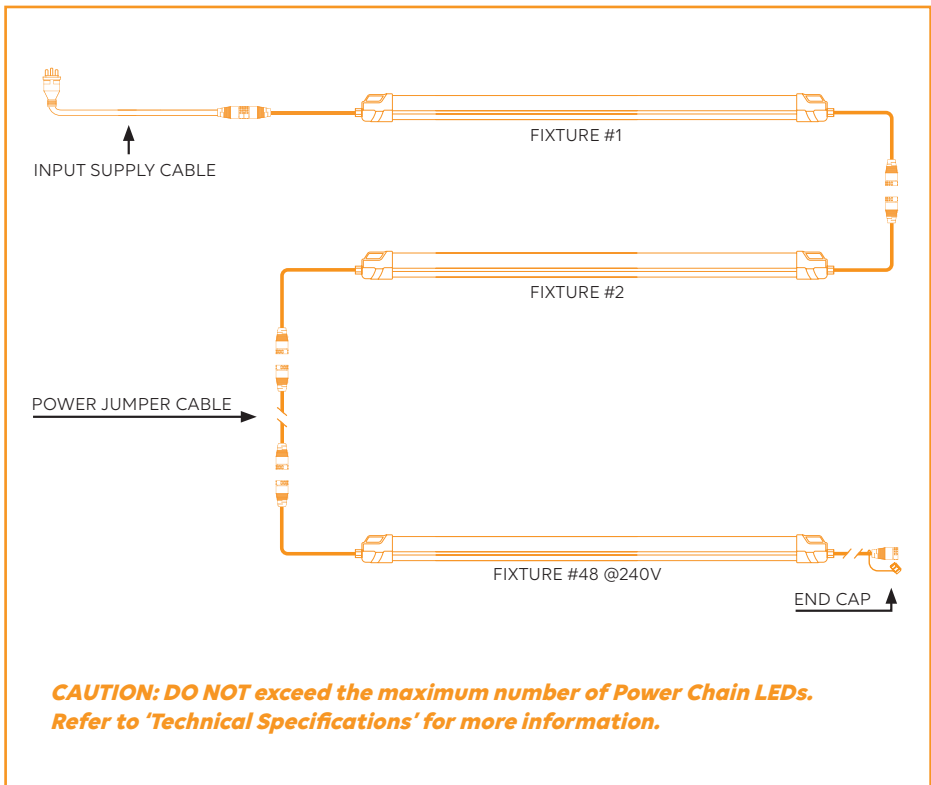
Option 1:

Ensure the mains power is off, connect the output of fixture #1 into the input of fixture #2.

Option 2:

Ensuring the mains power is off, connect the Power Jumper Cable between the output on fixture #1 and input on fixture #2.

Power Chain Diagram in a 240V System:



7. WARRANTY - CONTACT YOUR RETAILER FOR WARRANTY CLAIMS AND SUPPORT.

The company guarantees the mechanical and electronic components of this product. It ensures the materials and workmanship is free of defects, used under normal operating conditions.

If there are any defects with this product that relate to the workmanship or the materials used, the company shall, at its discretion, either replace or repair the product.

However, improper use is NOT covered by warranty. This includes but is not limited to, overloading, user error, physical or water damage.

Warranty is valid for a period of three years from the original date of purchase.



lucius.com.au