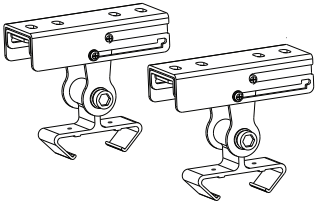


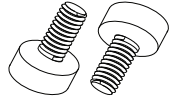
# LUCIOUS ACCESSORIES

M2173

## Rotatable Bracket



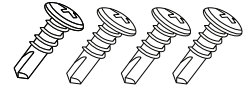
2x Rotatable Bracket



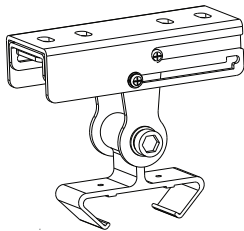
2x M4 Lock Screw



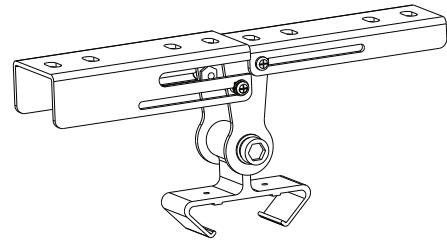
2x M4 Lock Nut



4x Mounting Screws

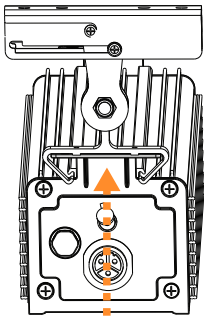


Default

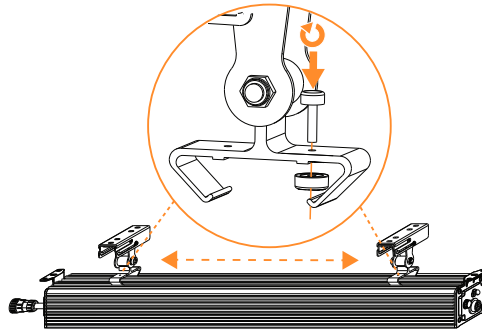


Extended

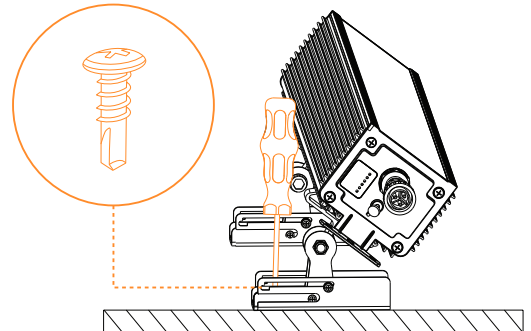
## Default Installation



Slide onto fixture.

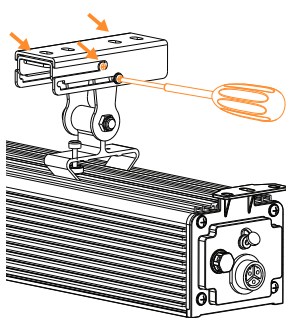


Adjust spacing and lock into place.

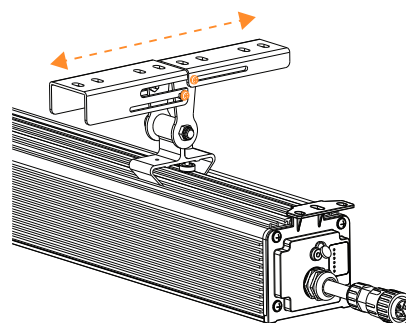


Mount on floor, wall or ceiling and angle.

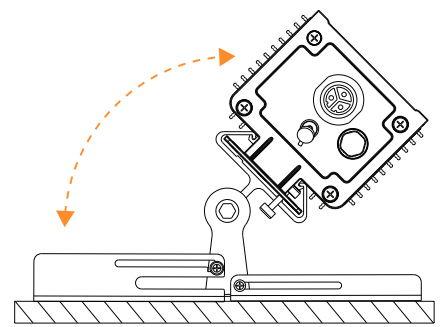
## Extended Installation



Loosen 4 screws.



Extend bracket and re-tighten.

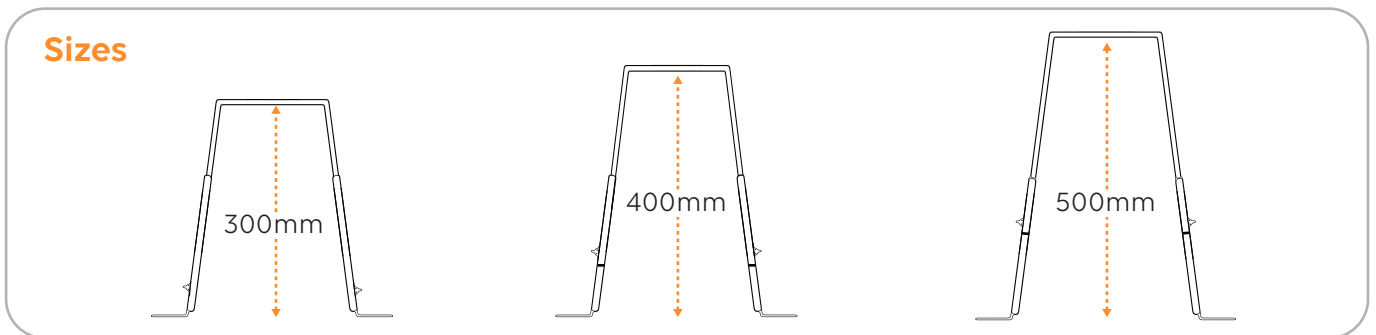
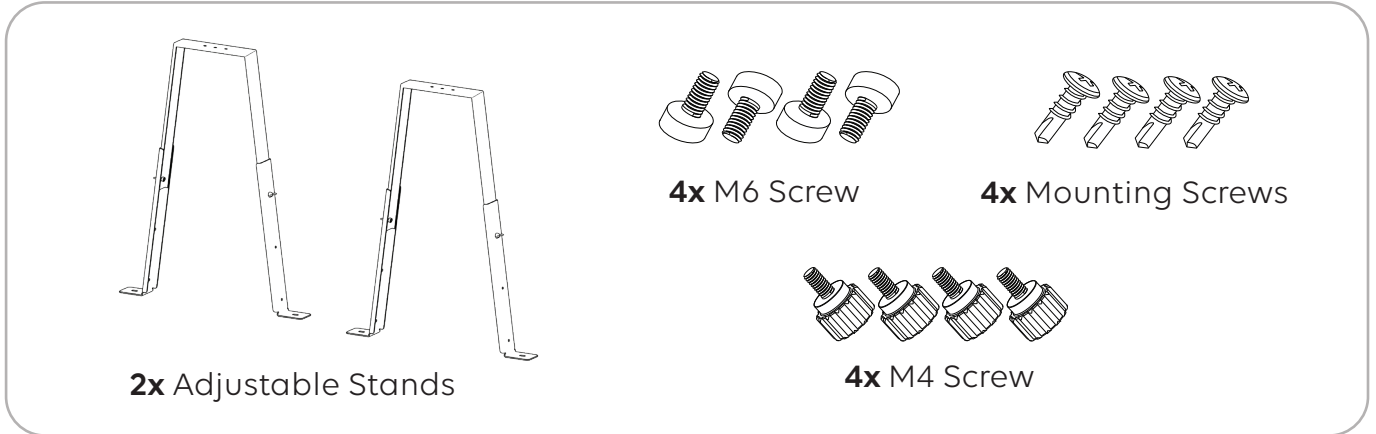


Place on floor and angle.

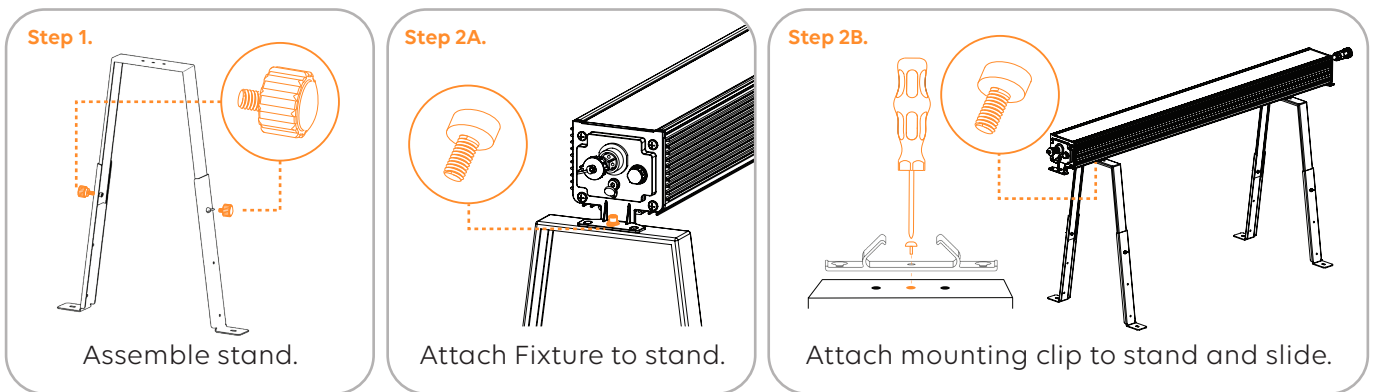
# LUCIOUS ACCESSORIES

M2175

## Adjustable Stand



## Adjustable Stand Installation



## Combination Installation

