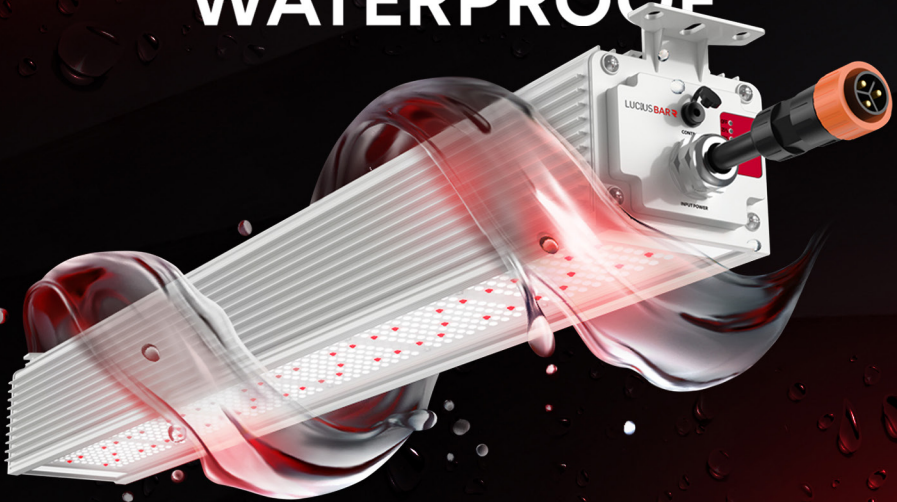


LUCIUS BAR IP66 WATERPROOF



140W



OSRAM DIODES



POWER & SIGNAL CHAINS



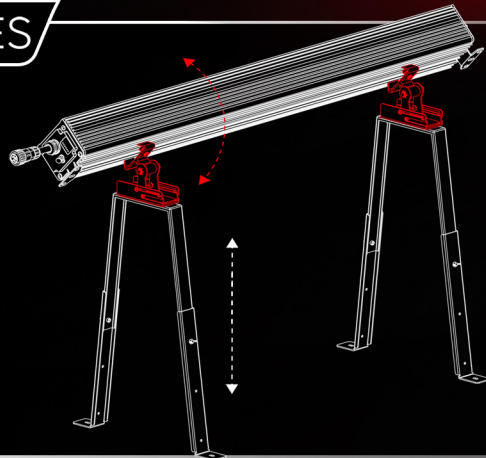
EXTERNAL CONTROL

3.2 μ mol/J

ACCESSORIES

**ROTATABLE
BRACKET**

**ADJUSTABLE
STAND**



***SOLD SEPARATELY**