



HORTITEK®

GEN 2

UFO LED

INSTRUCTION MANUAL



100W



200W






300W



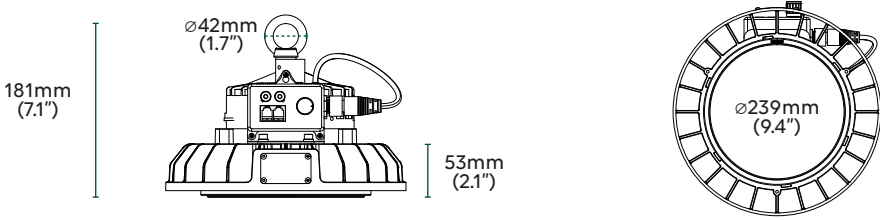
500W

PRODUCT SPECIFICATIONS

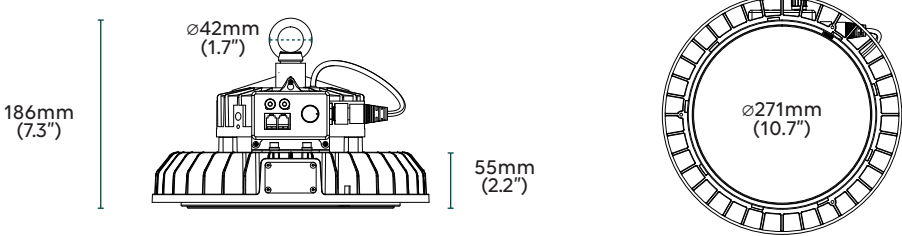
Product Code	M4451	M4456	M4461	M4466	
Power	100W	200W	300W	500W	
Voltage Range / Frequency	100-240V ~ 50/60Hz		100-277V ~ 50/60Hz		
Current	Amp @ 120V:	0.87A	1.71A	2.60A	4.35A
	Amp @ 208V:	0.50A	0.97A	1.47A	2.48A
	Amp @ 220V:	0.48A	0.92A	1.40A	2.35A
	Amp @ 230V:	0.46A	0.88A	1.34A	2.25A
	Amp @ 240V:	0.44A	0.85A	1.29A	2.17A
	Amp @ 277V:	-	-	1.15A	1.95A
PPF Efficacy	2.50µmol/J				
Max PPF	250µmol/s	500µmol/s	750µmol/s	1250µmol/s	
CCT	4800K				
CRI	80%				
PF	>0.96				
THD	<10%				
Beam Angle	120°				
Control Knob	OFF / 25% / 50% / 75% / 100% / RC				
External Control	0-9V LED Control		0-10V LED Control		
Signal Port	TRS and RJ12				
Signal Cable	3.5mm TRS Male Jumper Cable				
Thermal Management	Passive				
BTU/h	341	683	1024	1707	
Protection	Over-Voltage, Short Circuit, Surge		Over-Voltage, Short Circuit, Open Circuit, Surge, Over Temperature, Over Power		
Dimensions	Ø239x181mm Ø9.4x7.1"	Ø271x186mm Ø10.7x7.3"	Ø383x261mm Ø15.1x10.3"	Ø454x212mm Ø17.9x8.4"	
Weight	2.27±0.3kg 5±0.66lbs	3.15±0.3kg 6.95±0.66lbs	8.0±0.3kg 17.63±0.66lbs	9.3±0.3kg 20.5±0.66lbs	
Housing Material	Die Cast Aluminium			Cold Forged Aluminium	
Working Temperature	0°C to 40°C / 32°F to +104°F (95% RH)				
Storage Temperature	-40°C to 70°C / -40°F to +158°F (85% RH)				
IP Rating	IP65				
Warranty	3 Years				
Certificates	  				

DIMENSIONS (mm/inch)

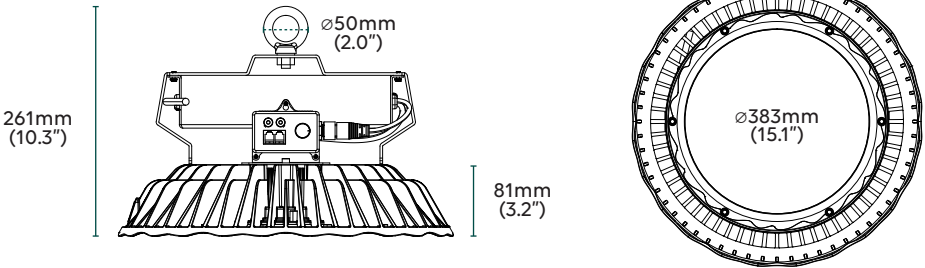
100W



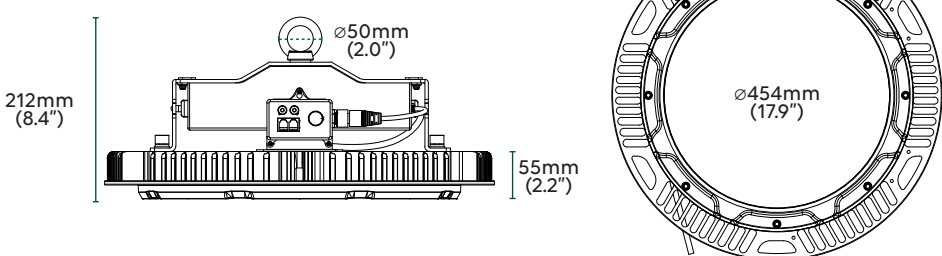
200W



300W

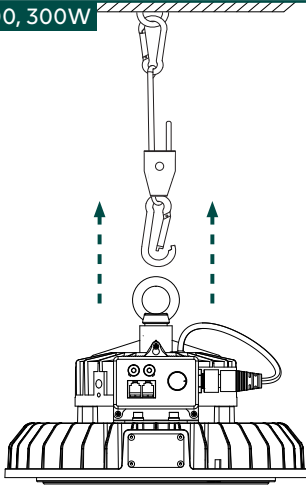


500W

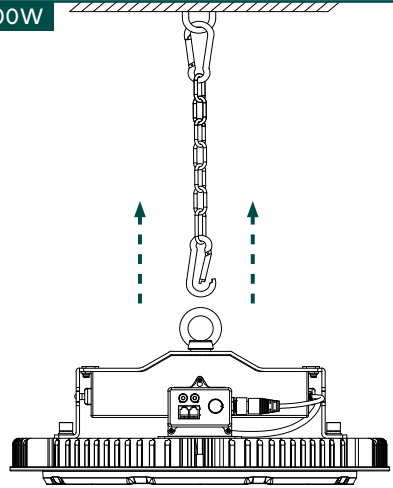


INSTALLATION INSTRUCTIONS

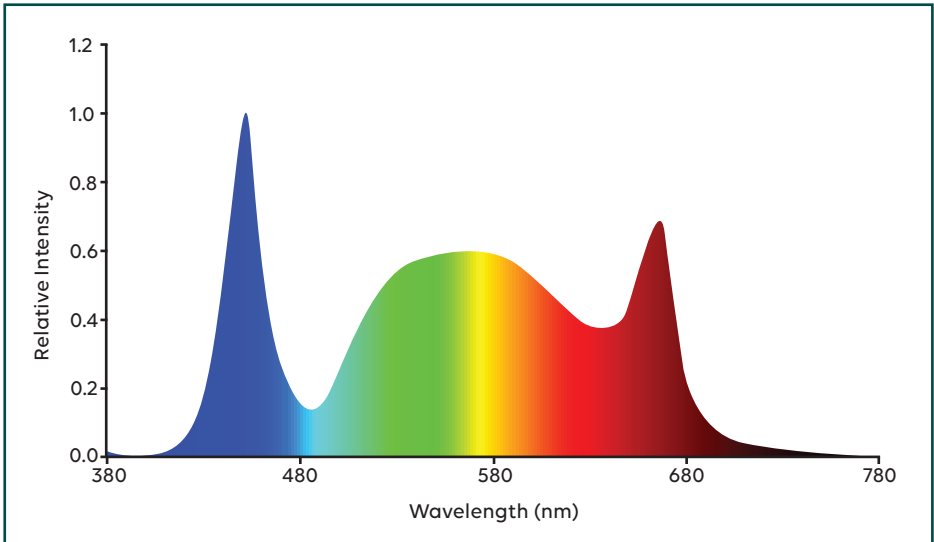
100, 200, 300W



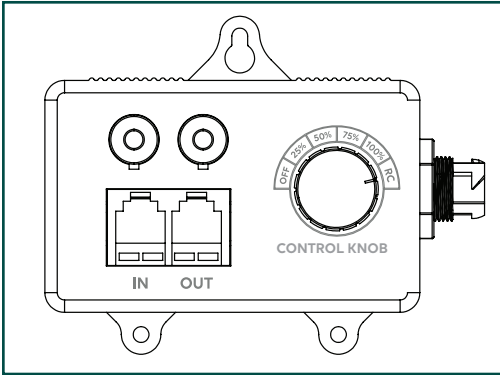
500W



SPECTRUM



OPERATION INSTRUCTIONS



ENSURE ALL POWER & SIGNAL CABLES ARE FIRMLY CONNECTED

POWERING ON

Connect the power cable to the driver and a switched off, power outlet. Switching the power outlet ON will power the fixture.

By default, the control knob will be set to '100%' power.

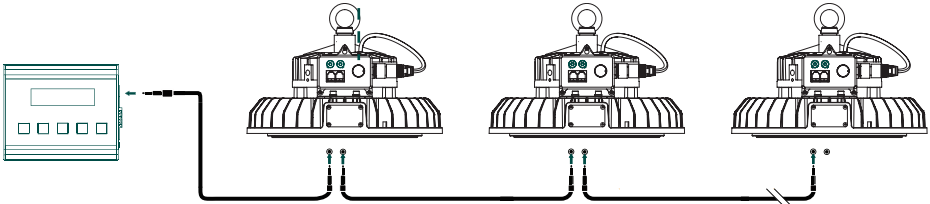
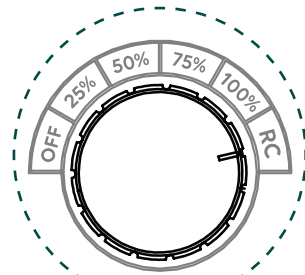


ENSURE ALL FIXTURES ARE SWITCHED OFF

CONNECTING MULTIPLE LED FIXTURES

To connect multiple fixtures, add Signal Cables between fixtures 'OUT' & 'IN' ports.

Once connections are made, set the Control Knob to 'RC' mode on all fixtures and power ON.



WARRANTY - CONTACT YOUR RETAILER FOR WARRANTY CLAIMS AND SUPPORT

The company guarantees the mechanical and electronic components of this product. It ensures the materials and workmanship is free of defects, used under normal operating conditions.

If there are any defects with this product that relate to the workmanship or the materials used, the company shall, at its discretion, either replace or repair the product.

However, improper use is NOT covered by warranty. This includes but is not limited to, overloading, user error, physical or water damage.

Warranty is valid for a period of three years from the original date of purchase.

SAFETY NOTES

- Ensure that there is no visible damage before installing or using this product.
- Keep away from hot objects and open flames.
- Avoid touching during operation.
- Ensure that selected power supply is switched OFF during installation.
- Do not install underwater or in water soaked areas.
- Do not use if power cable is damaged.
- Do not attempt to service or replace LEDs yourself.



HORTITEK®

hortitek.com

